

3291 CONTROL VALVE SPECIAL LENGTH VERSION

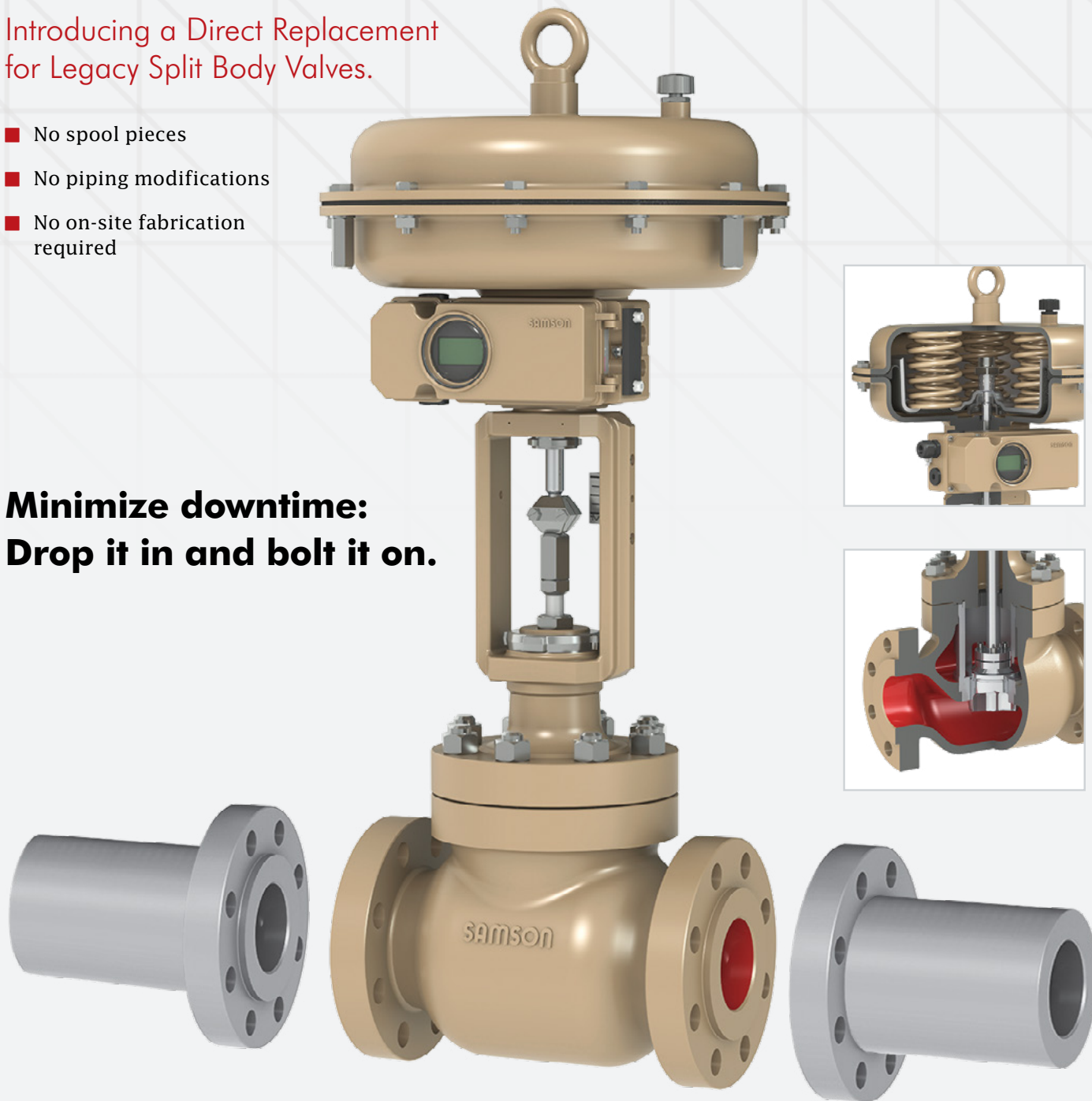
SAMSON

SAMSON

Introducing a Direct Replacement
for Legacy Split Body Valves.

- No spool pieces
- No piping modifications
- No on-site fabrication required

**Minimize downtime:
Drop it in and bolt it on.**



FACE-TO-FACE DIMENSIONS

Specifications	NPS 1	NPS 1 ½	NPS 2	NPS 3	NPS 4
3291 - Special Length version	8.5" (216 mm)	9.5" (241 mm)	11.5" (292 mm)	14" (356 mm)	17" (432 mm)

FEATURES AND BENEFITS

Integrated Accessory Attachment

- Eliminates external tubing
- Protects mechanical feedback linkage
- Entire actuator top works can be rotated 360° without disassembly

SAMSON Smart Devices

- Easy push-button positioner initialization
- Intrinsically safe & explosion proof options available
- EXPERTPlus Diagnostics

Self-adjusting PTFE V-ring Packing

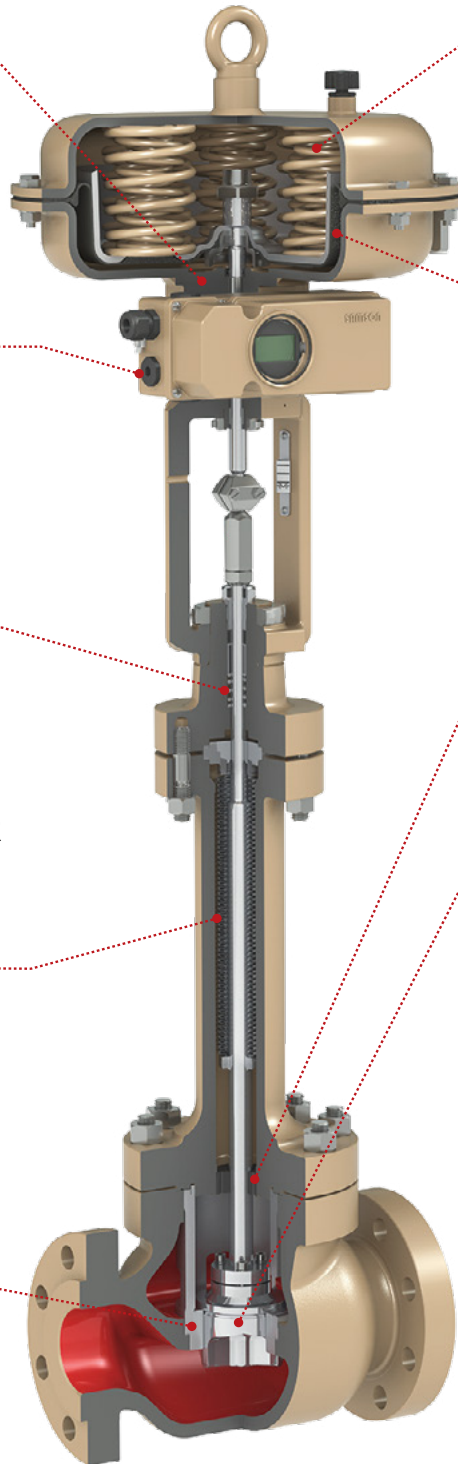
- Maintenance-free design
- Low friction
- Roller burnished stem reduces friction, external leakage, and maximizes packing life beyond what basic polishing can offer from competitors.

Patented Multi-layered Bellows Technology

- Double wall design
- Small valve travel results in a long bellows life
- Modular design allows for the addition or removal of bellows in the field

Clamped Seat Design

- No special tooling required
- Robust seat retention
- Flute guiding reduces chances of erosion damage if debris exists



Field Reversible Nested Multi-Spring Actuator

- Reduced height and weight
- Easily convert between fail actions in the field with minimal effort

Rolling Diaphragm

- Greatly reduces diaphragm wear compared to stretching diaphragm design used by competitors.
- Diaphragm design results in very small external air loss

Low Lying Guide Bushing

- Ensures precise plug alignment for our stem guided trim

Multiple Plug Designs

- Parabolic - Cost effective & debris friendly
- V-Port - Reduced vibration & debris friendly
- Perforated - Vibration reduction and flow dispersion

Various Noise Attenuation Options

- Flow Divider I and II (Gases/Vapors)
- Anti-Cavitation Trims (Liquids)
- Optional downstream orifice plates

SAMSON

AIR TORQUE · CERA SYSTEM · KFELEKTRONIK · LEUSCH
PEIFFER · RINGO · SAMSONATIC · SED · STARLINE · VETEC

SAMSON USA

4111 Cedar Blvd. Baytown, Texas 77523-8588 USA

Phone: +1 (281)383-3677 • 24 Hour Service: +1 (281) 383-9859

Email: contactus@samsongroupna.com • Website: www.samsoncontrols.com



www.samsoncontrols.com



contactus@samsongroupna.com